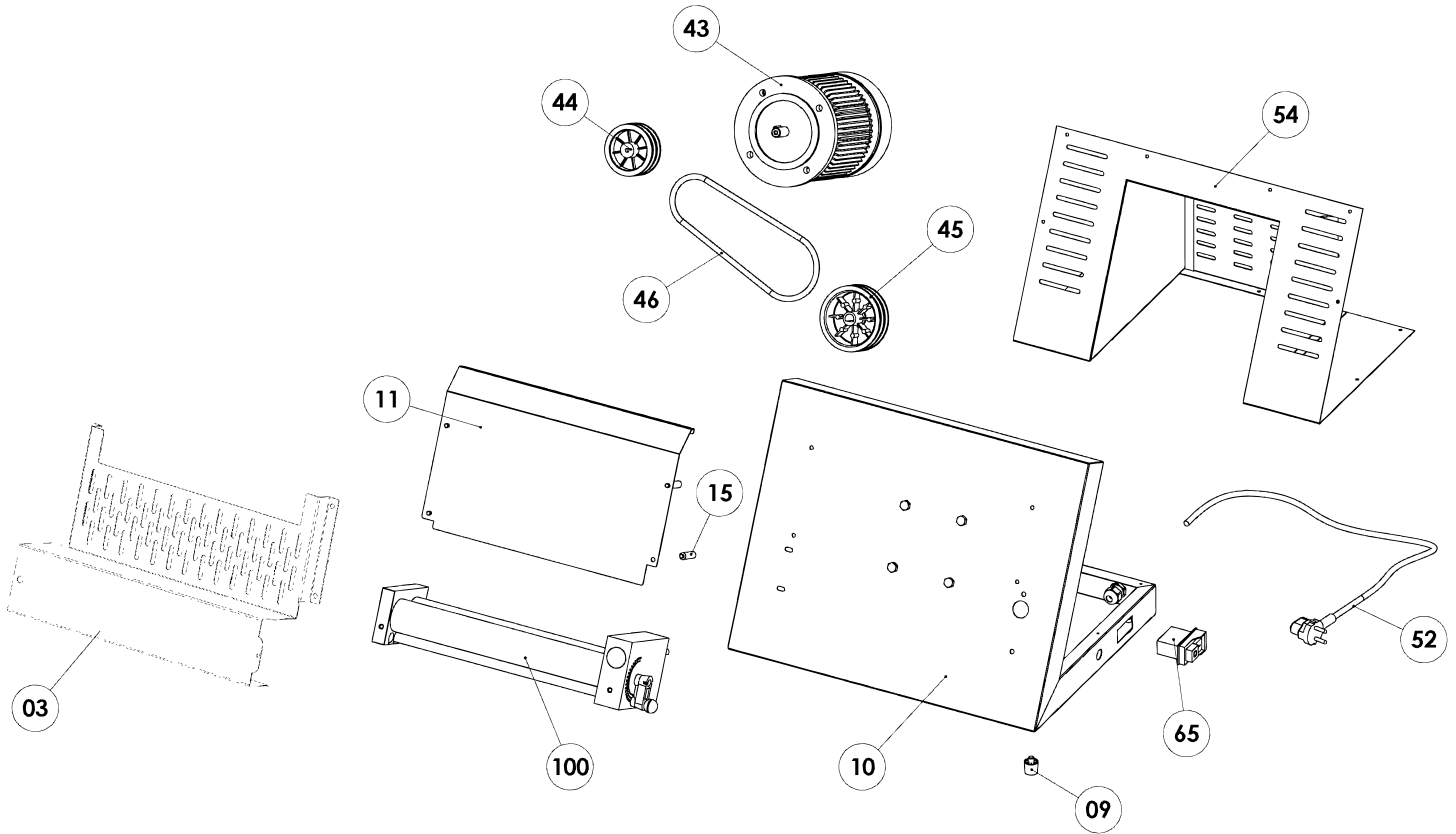


Parts Breakdown

Model BE-IT-0337 40639

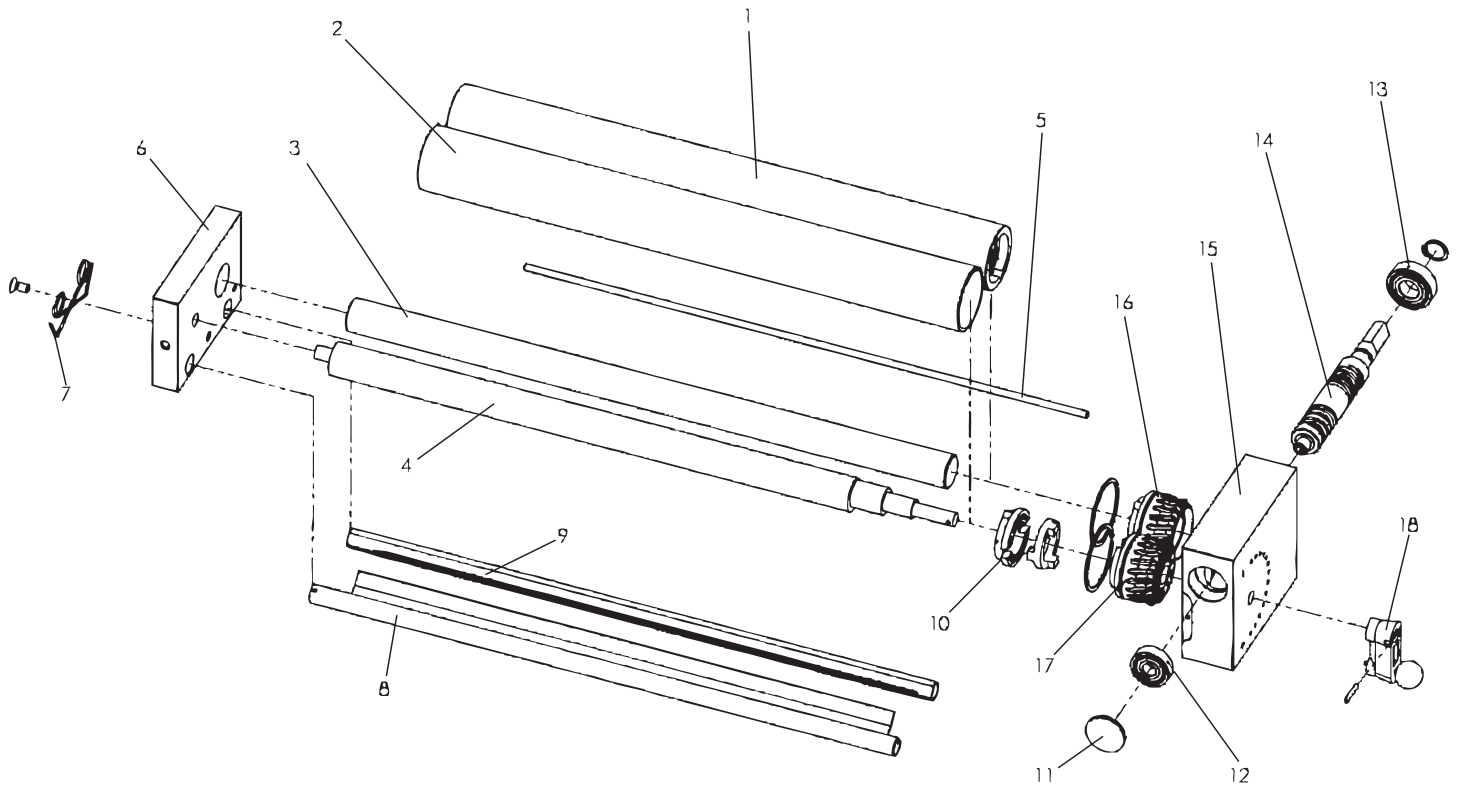
Complete Unit



Parts Breakdown

Model **BE-IT-0337** 40639

Lower Rolling Unit



Parts Breakdown

Model BE-IT-0337 40639

Complete Unit

Item No.	Description	Position	Item No.	Description	Position	Item No.	Description	Position
AE660	Safety Protection for 40639	03	63580	Motor 110V-60HZ 0, 25kW-0, 33HP B5 for 40639	43	63581	Motor Casing Assembly for 40639	54
79651	Black Corner Foot Rivet for 40639	09	63557	Plastic Motor Pulley for 40639	44	63562	KLD-28A Start/Stop Green/Red Button/Switch for 40639	65
63577	Steel Enclosure for 40639	10	63558	Plastic Reduction Pulley for 40639	45	63180	Lower Roller Unit (Grey) for 40639	100
63578	Steel Slide for 40639	11	60331	Belt 8x560 for 40639	46			
63554	10x37 Upper Spacer for 40639	15	63560	Feed Cable SJT3X14AWG for 40639	52			

Lower Rolling Unit

Item No.	Description	Position	Item No.	Description	Position	Item No.	Description	Position
63582	Lower Cylindrical Roller 1 for 40639	1	79650	Pizza Dough Scraper Spring for 40639	7	63573	6202 ZZ Bearing 1 for 40639	13
63583	Lower Eccentric Roller 1 for 40639	2	63569	Front Aluminum Pizza Dough Scraper 1 for 40639	8	63574	Cylindrical Screw (Rolls Center Distance of 50) 1 for 40639	14
63584	Lower Cylindrical Shaft 1 for 40639	3	63570	Back Aluminum Pizza Dough Scraper 1 for 40639	9	63575	Lower Reduction Gear Support 1 for 40639	15
63585	Lower Eccentric Shaft 1 for 40639	4	79646	Male/Female Group Joint for 40639	10	79647	Cylindrical Gear for 40639	16
63567	5x438 Steel Rod 1 for 40639	5	63571	Red Ral 3020 Cap 1 for 40639	11	79648	Eccentric Gear for 40639	17
63568	Lower Small Support 1 for 40639	6	63572	6200 ZZ Bearing 1 for 40639	12	79649	Pizza Dough Roll Mach Thickness Adjustment Group (Red) for 40639	18